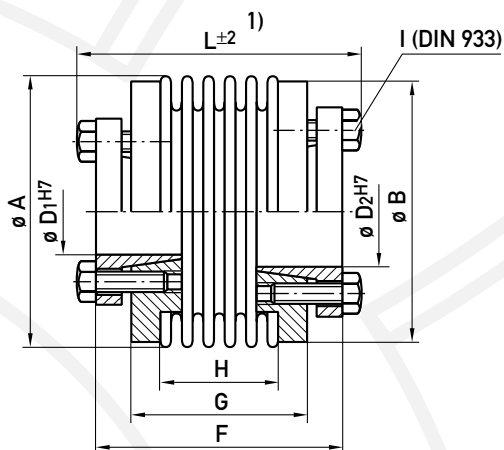


MICROFLEX

BACKLASH-FREE METAL BELLOWS COUPLINGS

Type SB5 with conical hubs



Ordering data

Type	SB5 150/80	30 ^{H7}	35 ^{H7}	XX
Length (L)				
Bore diameter D ₁				
Bore diameter D ₂				
Further details, e.g. special material 3)				

Technical Data – Type SB5

SIZE			30	60	80	150	200	300	500	800	1400	3000	5000
Nominal torque (Nm)	T _{KN}		30	60	80	150	200	300	500	800	1400	3000	5000
Torsional stiffness (10 ³ Nm/rad)	C _{T dyn}		36/26	73/49	126/74	151/101	173/116	499/280	310	758	1266	2800	4800
Radial spring (N/mm)	C _r		718/222	1125/333	1218/403	2030/601	2531/450	6328/1470	972	512	706	2950	4920
Axial spring (N/mm)	C _a		48/27	91/53	84/53	147/86	147/85	284/153	86	186	278	310	510
Moment of inertia (10 ⁻³ Kg ^m ²)	J		0.15	0.4	0.8	0.8	1.5	4.0	7.2	26.1	26.1	48	62
Tightening torque of retaining screws (Nm)			4.5	8.5	10	14	14	18	26	45	80	85	210
Weight (kg)			0.4	0.8	1.3	1.3	1.6	3.4	4.2	8.5	8.5	15	21
Max. approved misalignment													
- radial (mm)			0.1/0.2	0.1/0.2	0.2/0.2	0.2/0.2	0.2/0.2	0.2/0.2	0.2	0.2	0.2	0.2	0.2
- axial (mm)			0.4/0.5	0.4/0.5	0.4/0.5	0.4/0.5	0.4/0.5	0.4/0.5	1.0	1.0	1.0	1.0	1.0
- angular (degree)			1.0/1.5	1.0/1.5	1.0/1.5	1.0/1.5	1.0/1.5	1.0/1.5	1.5	1.5	1.5	1.5	1.5
Maximum rpm			11000	9100	7000	7000	6700	5200	4600	3700	3700	2800	2800

Dimensional Data (mm) – Type SB5

SIZE	30	60	80	150	200	300	500	800	1400	3000	5000
L±2	52/60	63/73	80/91	80/92	80/93	91/104	113	170	170	206	206
Ø A	56	66	82	82	90	110	122	157	157	157	208
Ø B	52	63	80	80	85	110	122	152	152	152	190
Ø D ₁ ^{H7} / Ø D ₂ ^{H7}											
- min.	12	15	20	20	20	25	35	50	50	55	60
- max.	20	25	35	35	40	50	55	70 ²⁾	70 ²⁾	75 ²⁾	85 ²⁾
F	45/53	55/65	72/83	72/84	72/85	80/93	102	150	150	190	186
G	29/37	37/47	50/61	50/62	50/63	54/67	72	110	110	150	146
H	16/24	21/31	24/36	24/36	25/37	29/40	40	84	84	84	94
I (DIN 933)	6 x M5	6 x M6	6 x M6	6 x M6	6 x M6	6 x M8	6 x M8	6 x M16	6 x M16	6 x M12	6 x M16

1) Keep space for the releasing screws.

2) Larger bores on request.

3) Stainless steel version also available.