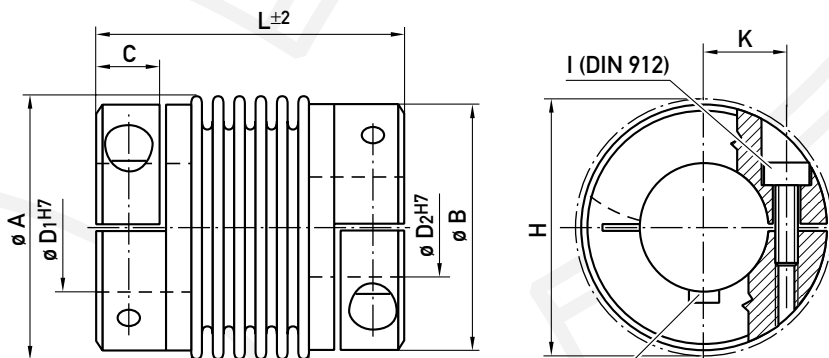


MICROFLEX

BACKLASH-FREE METAL BELLOWS COUPLINGS

Type SB7 with collet clamp



Keyway according to DIN 6885¹⁾ on demand

Ordering data

Type	SB7 150	30 ^{H7}	35 ^{H7}	XX
Bore diameter D ₁				
Bore diameter D ₂				
Further details, e.g. special material, keyway 3)				

Technical Data – Type SB7

SIZE			18	30	60	80	150	200	300	500
Nominal torque (Nm)	T _{KN}		18	30	60	80	150	200	300	500
Torsional stiffness (10 ³ Nm/rad)	C _{T dyn}		6	26	49	74	101	116	280	310
Radial spring (N/mm)	C _r		86	222	333	403	601	450	1470	972
Axial spring (N/mm)	C _a		39	27	53	53	86	85	153	86
Moment of inertia (10 ³ Kgm ²)	J		0.08	0.1/0.16	0.3/0.5	1.4/2.3/2.8	1.4/2.3/2.8	2.6/4.2	4.6/6.2	9
Tightening torque of retaining screws (Nm)			6/6	15/12	40/30	60/55/50	80/70/50	100/80	110/90	145
Weight (kg)			0.2	0.2/0.3	0.5/0.6	1.7/2.1/2.3	1.7/2.1/2.3	2.5/3.3	3.4/4.1	4.9
Max. approved misalignment										
- radial (mm)			0.2	0.2	0.2	0.2	0.2	0.2	0.2	0.2
- axial (mm)			0.5	0.5	0.5	0.5	0.5	0.5	0.5	1
- angular (degree)			1.5	1.5	1.5	1.5	1.5	1.5	1.5	1.5
Maximum rpm			12700	10200	8600	6800	6800	6300	5900	4900

Dimensional Data (mm) – Type SB7

SIZE	18	30	60	80	150	200	300	500
L±2	71	73	89	103	104	113	115	122
Ø A	45	56	66	82	82	90	110	112
Ø B	45	47/56	57/66	68/80/84	68/80/84	80/90	90/96	110
C	12	15	19.5	21.5	21.5	25.5	28	29.5
Ø D ₁ ^{H7} / Ø D ₂ ^{H7} 2)								
- min.	10/20	10/20	14/23	20/28/35	20/28/35	25/32	32/40	40
- max.	20/25	20/25	23/35	28/35/40	28/35/40	32/42	40/45	60
F	32	24	31	35	36	37	40	40
I	M5	M6	M8	M10	M10	M12	M12	M12
K	17.5	16/20	20/24	24/27/28	24/27/28	26/31	32/35	40
H (parasitic disturbance)	48	56	70	84	84	93	102	108

Hubs 18 to 60 made of aluminum, Hubs 80 to 500 made of steel, other materials available on request.

1) Tolerance of keyway: Standard JS9.

2) Smaller Ø possible for lower torque of transmission.

3) Stainless steel version also available.