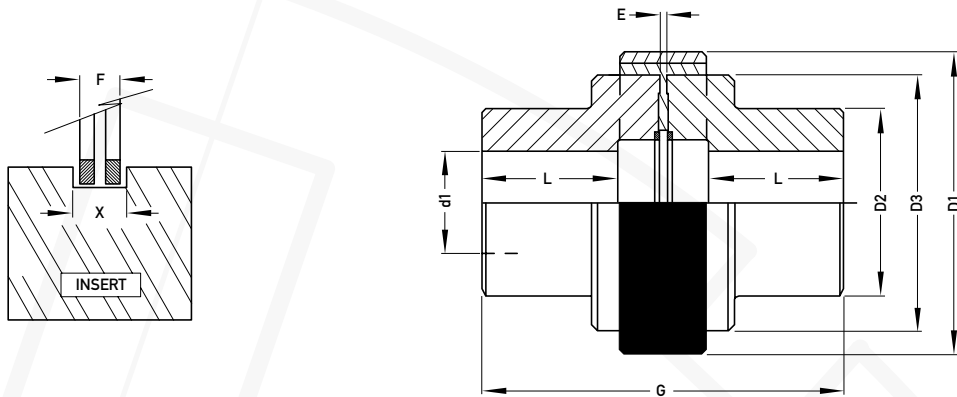


# SAMIFLEX LIMITED END FLOAT COUPLING - TYPE FX



Coupling Size	Max Bore (d1)	Dimensions									Axial Float
		D1	D2	D3	D.B.S.E.	E	G	L	F	X	
A4B FX	95.2	182	135	150	54	3.5	180	63	11.5	12.5	1
A4.5 FX	82.5	202	125	170	58	3.5	198	70	11.5	12.5	1
A5B FX	114.3	225	160	190	62	3.5	216	77	14.5	16	1.5
A55 FX	101.6	250	155	215	66	3.5	246	90	14.5	16	1.5
A6 FX	114.3	265	180	233	70	3.5	260	95	18.5	20.5	2
A7 FX	139.7	306	205	267	78	4	310	116	18.5	20.5	2
A8 FX	150	363	242	326	88	5	382	147	21	24	3
A9 FX	180	425	280	385	96	5	420	162	21	24	3
A10 FX	210	523	330	483	106	6	482	188	22	26	4