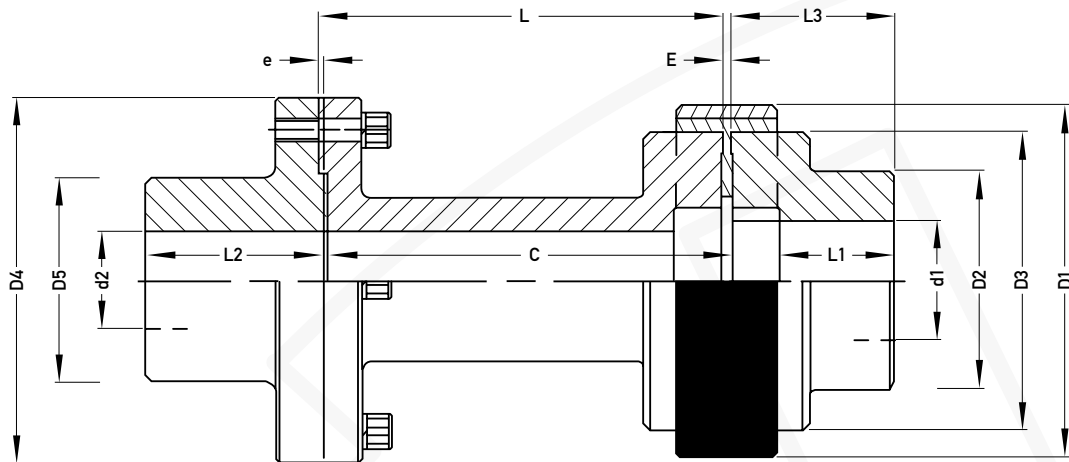


SAMIFLEX SPACER COUPLING - TYPE SP



Coupling Size	Max Range		Max RPM	Dimensions								
	d1	d2		D1	D3	D4	D5	L1	L2	L3	e	C
A1-SP	38	42	5500	83	65	100	67	34	45	45	2	100 120 140
A2-SP	42	48	5000	111	86	120	83	47	62	62	2	100 120 140
A3B-SP	55	65	4500	144	116	140	107	56	76	76	2.5	100 120 140
A4B-SP	75	85	3500	182	150	178	140	63	88	88	2.5	120 140 180
A45-SP	75	90	3100	202	170	200	150	70	97	97	2.5	120 140 180
A5B-SP	95	110	2900	225	190	225	179	77	106	106	2.5	140 180 200
A55-SP	95	110	2600	250	215	245	180	90	121	121	3	140 180 200
A6-SP	110	120	2500	265	233	265	198	95	128	128	3	180 200 250
A7-SP	130	130	2200	306	267	290	230	116	153	153	3	200 250 280

1) $L = C - 1$

2) Refer to Page 4 for dimensions D2 and E.